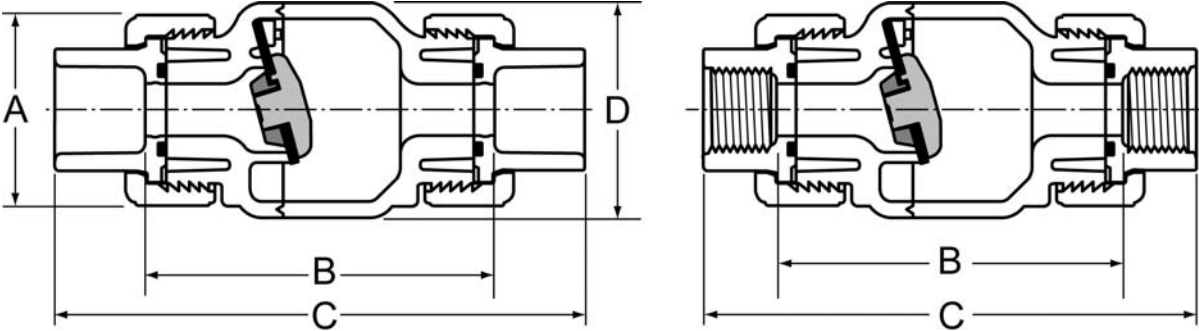




# True Union Utility Swing Check Valves



## Technical Information



### Dimensions

Nominal Size	A	Dimension Reference (inches, ± 1/16)				D
		B		C		
		Socket	Threaded/SR Threaded	Socket	Threaded/SR Threaded	
1/2	1-7/8	3-7/16	3-1/2	5-3/16	4-13/16	2-1/8
3/4	2-1/4	3-9/16	3-9/16	5-1/2	4-15/16	2-1/8
1	2-9/16	4-1/8	4-5/16	6-7/16	6	2-5/8
1-1/4	3-1/8	4-7/8	5-1/16	7-7/16	6-13/16	3-3/8
1-1/2	3-9/16	4-9/16	4-3/4	7-3/8	6-1/2	3-3/8
2	4-5/16	5-5/8	5-3/4	8-5/8	7-9/16	4-1/4
2-1/2	6-3/16	7-7/16	7-9/16	10-15/16	10-3/16	5-11/16
3	6-13/16	7-7/16	7-1/2	11-3/16	10-1/4	5-11/16
4	7-3/4	9-3/4	9-7/8	14-5/16	12-3/4	7-1/4

NOT FOR USE WITH COMPRESSED AIR OR GAS